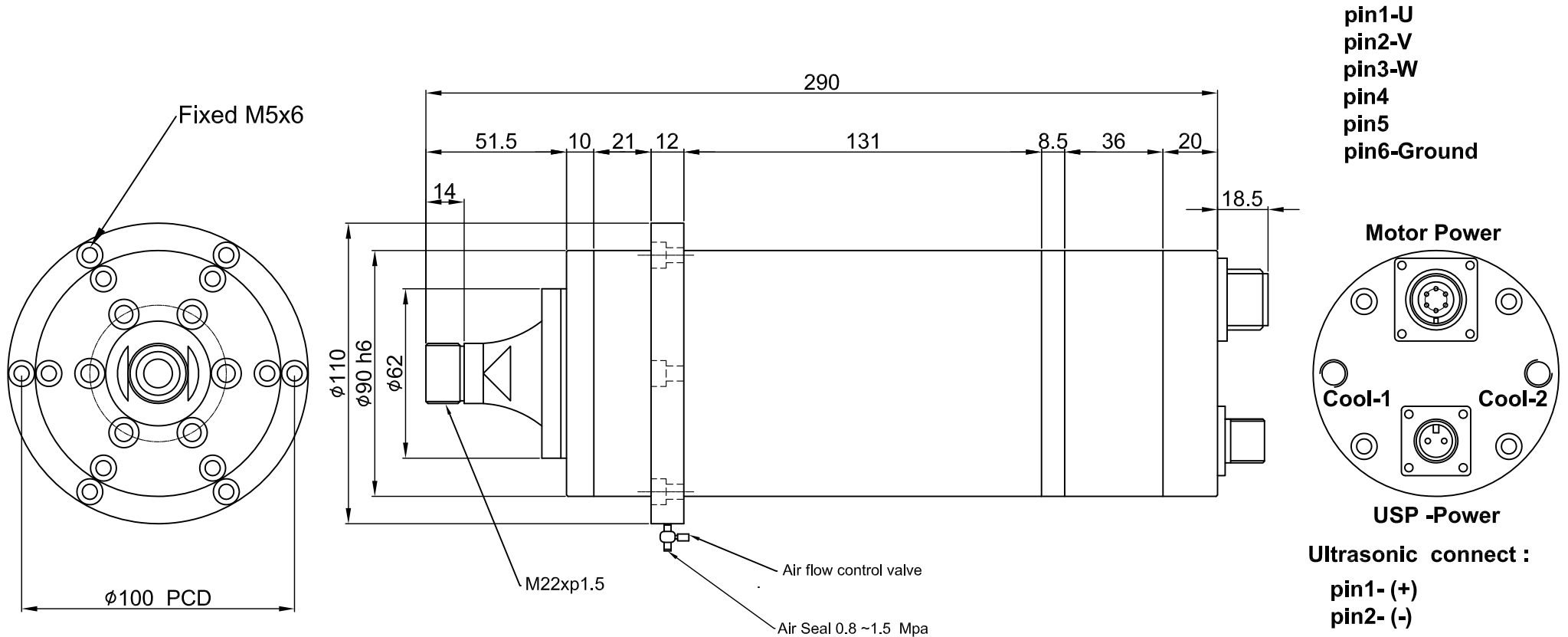


USP80-ER11-F Ultrasonic Spindle Motor USP90-ER16-F Ultrasonic Spindle Motor



Specification	Data
Motor Type	220V, 2P, 3 ϕ
Power Output	1.5Kw
Maximun Motor Speed	18000, 24000, 30000, 40000 rpm
Maximun Dynamic Run-out	0.01 mm
Cooling Water Flow Rate	70 l/hr
Cooling Water Inlet Temp.	20 c°~ 24 c°
Dimension	$\phi 90$ h6
Weight	10.0 kg

*Open the machine every day, so that the speed of the spindle 0~6000 rpm about 10minutes, slowly accelerated. The bearing slowly heating, so that the life of the spindle will be longer

*The manufacturer has the power to change the performance and appearance dimensions. The change is made to the advanced method of the product.

*The spindle mount saddle must be made of an Aluminum Alloy material to avoid ststic or electromagnetic fields.