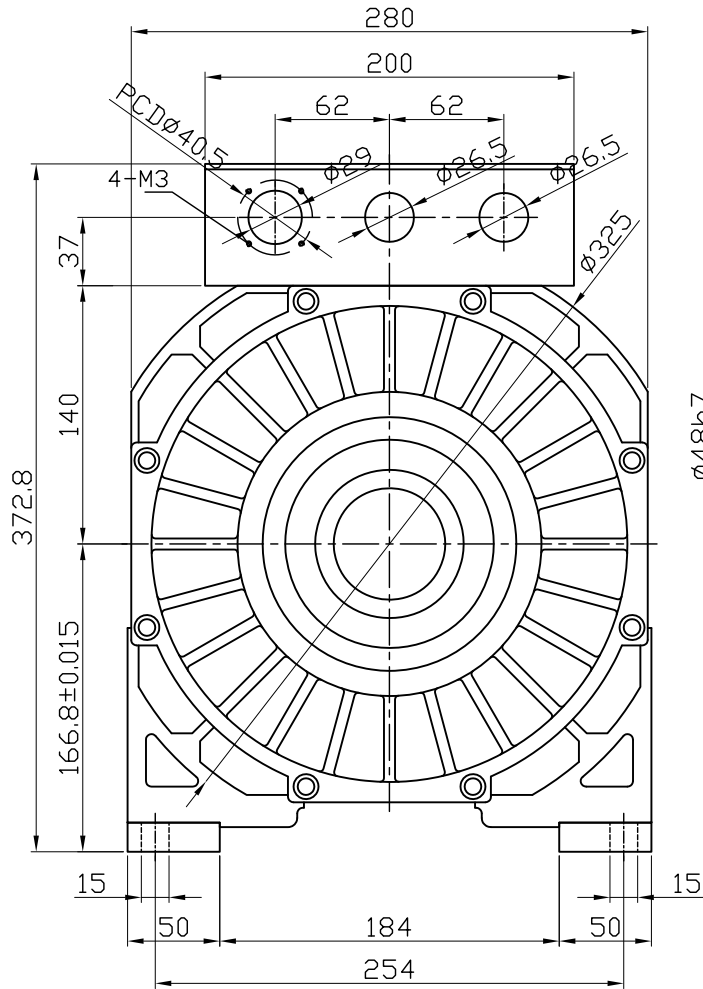


# SSM-20~25



MOTOR POWER : 20HP~25HP

