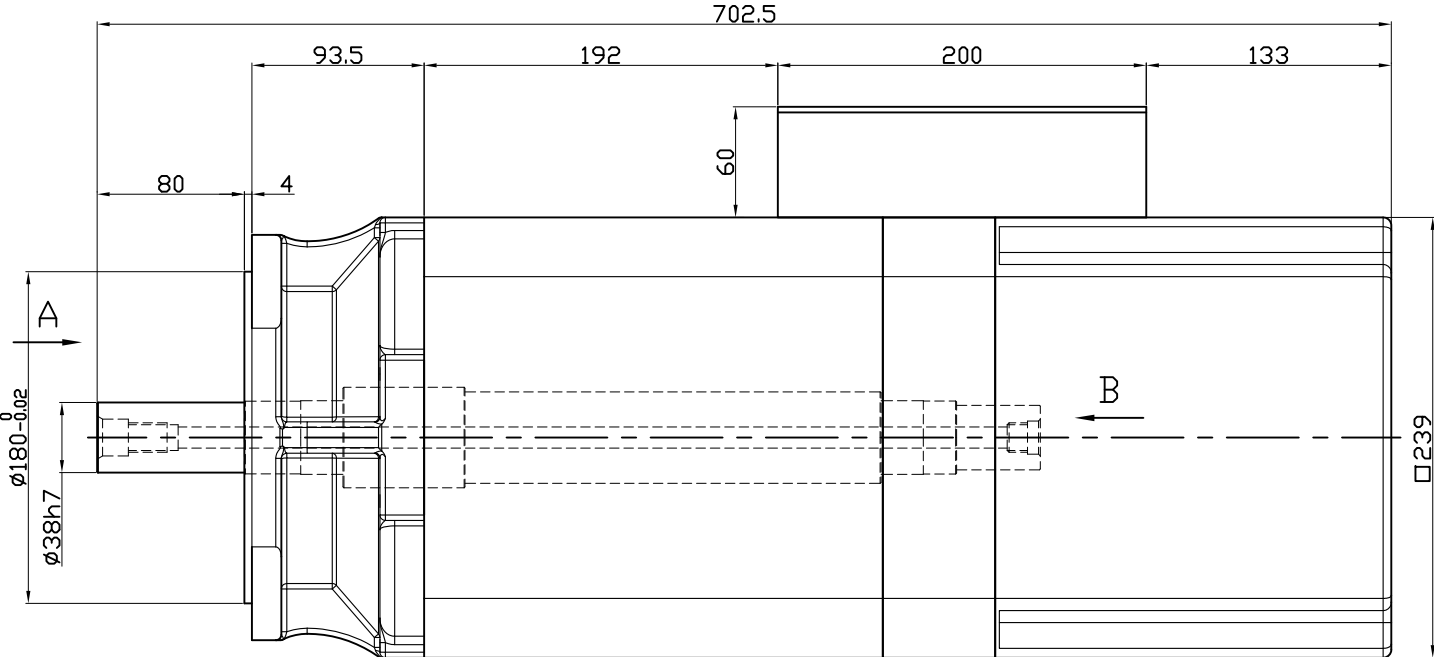
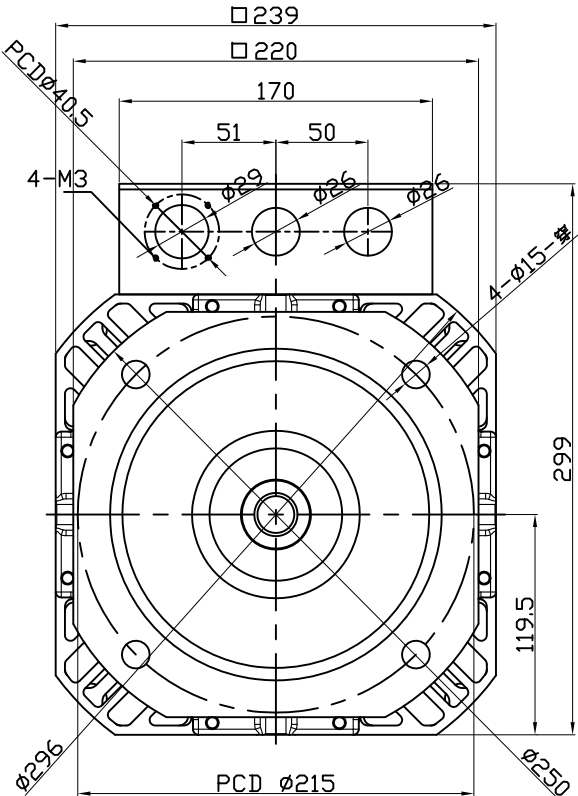
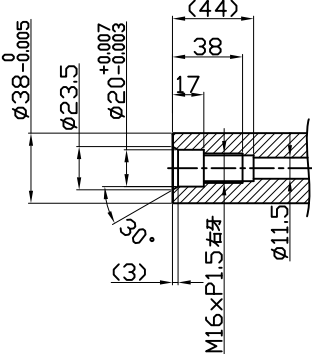


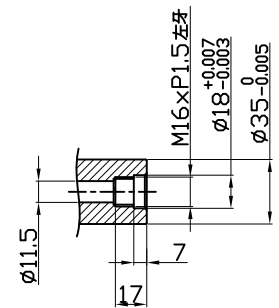
SSM-15CC



MOTOR POWER : 15HP (11KW)
MOTOR SPEED : 8000~12000 RPM
CENTER WATER COOLING SPINDLE



A VIEW



B VIEW