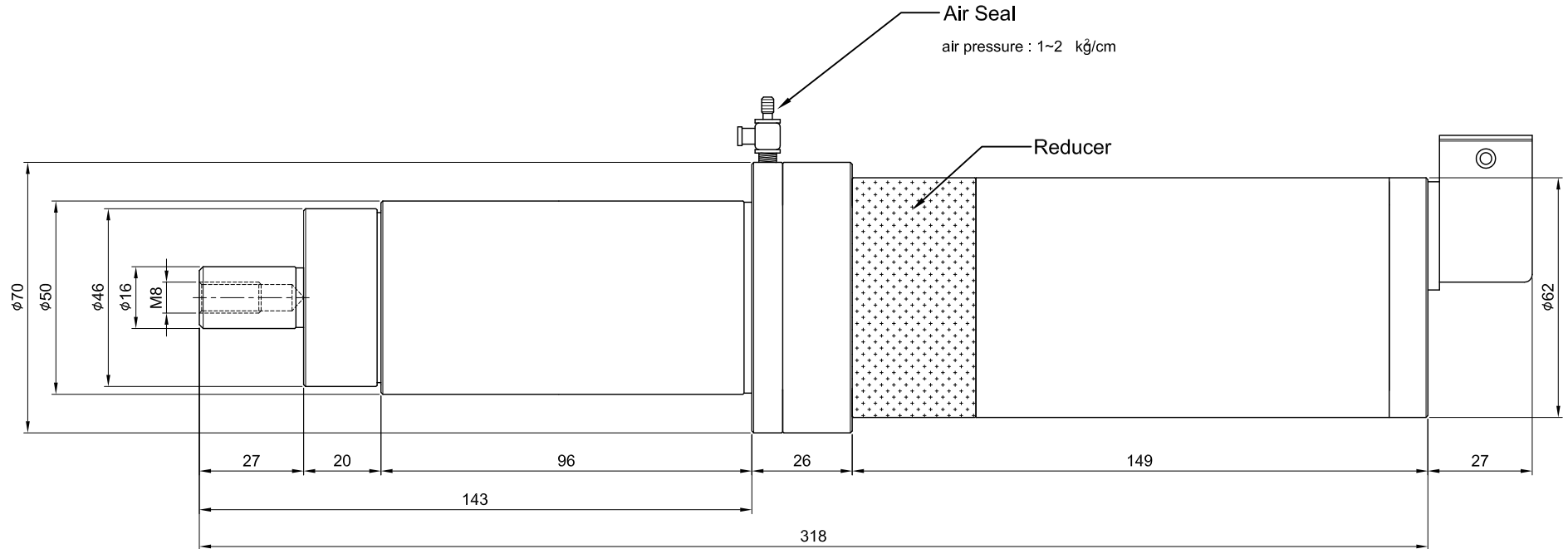


# Renovation Of Diamond Grinding Wheel Spindle Motor

( Small Horsepower . High Torque . )

RDGWS50 - 0.5KW



Motor Pole : 4

Motor Rated Voltage : 200 v

Motor Rated Speed : 4500 rpm

Motor Max. Speed : 6000 rpm

Motor Power : 400 W

Motor Rated Current : 2 A

Motor Rated Frequency : 50 HZ

Cooling Type : Working Ambient Temperature (25 °C)

1. Shaft Output Speed : 2000 rpm ( 6000 rpm )

Shaft Output Torque : 1.6 Nm ( 4:1 )

2. Shaft Output Speed : 750 rpm ( 3000 rpm )

Shaft Output Torque : 5.2 Nm ( 4:1 )

Reduction Gear Set Ratio : 4 : 1

**The manufacturer has the power to change the performance and appearance dimensions.  
The change is made to the advanced method of the product.**