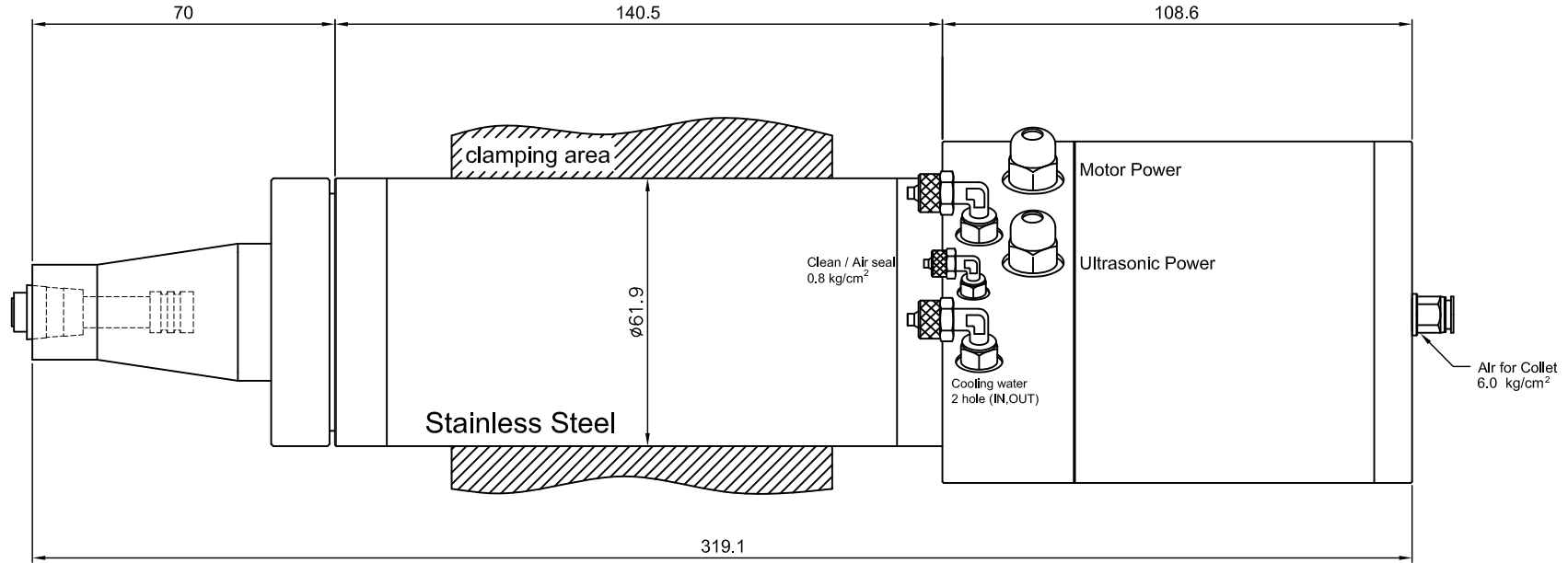


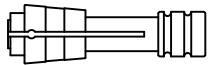
# Auto Tool Change Ultrasonic Spindle Motor

## AUSP62- 60K- CO

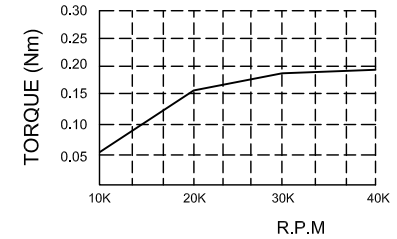
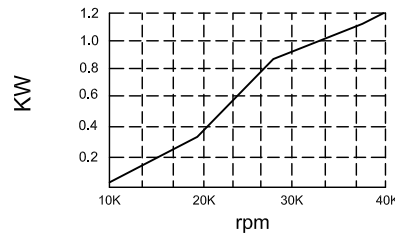
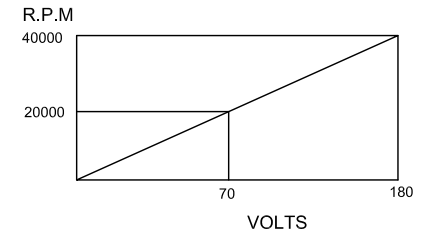


### Collet

$\phi 3.175$  ,  $\phi 4.0$  ,  $\phi 6.0$  mm



FRONT 2-CERAMIC BEARING 7003  
BACK 1-CERAMIC BEARING 7002



Shaft Power ( KW ) / Speed ( RPM )

Torque ( Nm ) / Speed ( RPM )

**The manufacturer has the power to change the performance and appearance dimensions. The change is made to the advanced method of the product.**

### Specification

### Units

Motor Type ( 馬達型式 )	220V . 2P . 3 $\phi$
Power Output ( 輸出功率 )	1.2 KW
Maximun Speed ( 最高轉速 )	40000 R.P.M
Maximun Dynamic Runout ( 偏擺精度 )	0.01 mm
Cooling Water Flow Rate ( 冷卻水流量 )	56.9 IMP( L/Hour )
Cooling Water Inlet Temperature ( 冷卻水進入溫度 )	18~22 °C
Coiiet Actuation Pressure ( 夾頭開合 )	5 kg/cm <sup>2</sup>
Collet Locking Torque ( 夾頭扭力 )	1.63 Nm
Body Size ( 外部尺寸 )	61.9 mm (h6)
Weight ( 重量 )	5.5 kg